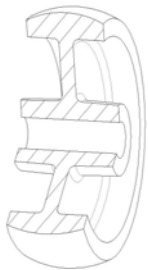


TWIN 32 SERIES



**TWIN SOLID POLYAMIDE 6 WHEELS FOR INSTITUTIONAL APPLICATIONS
SWIVEL BOLT HOLE BRACKETS WITH FRONT LOCKING BRAKE**

Wheel description

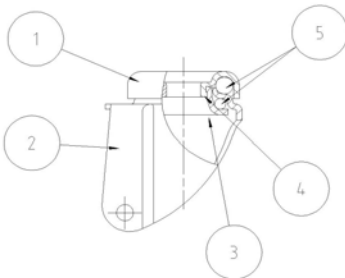


Wheel: solid polyamide 6 wheels.

Hub: the plain bearing bore results from a hole in the material forming the centre of the wheel and contains the axle.

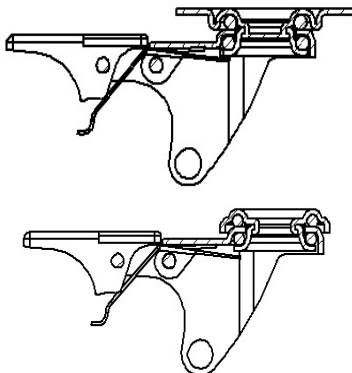
Bracket description

Light duty bracket (max. carrying capacity 90 daN)



- 1) **Plate:** electrolytically galvanised steel plate
 - 2) **Fork:** electrolytically galvanised steel plate
 - 3) **Ball Racing Ring:** electrolytically galvanised steel plate
 - 4) **King Pin:** incorporated in top plate and cold riveted
 - 5) **Swivel actions:** double ring of greased balls
- Finishing:** electrolytic galvanisation
Fitting: bolt hole

Brake description



Front-locking brake

This brake fully locks wheel and castor rotation.
The hardened carbon steel spring has very high corrosion resistance.