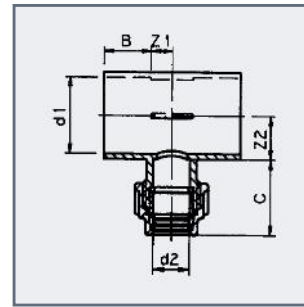


## PVC/PE Tee

PVC/PE T-stuk  
 PVC/PE T-Stück  
 Te PVC/PE  
 PVC/PE ti  
 Te en PVC/PE

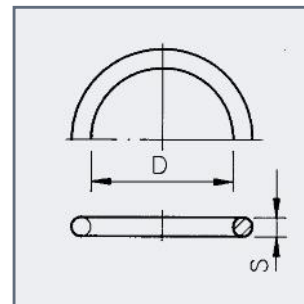
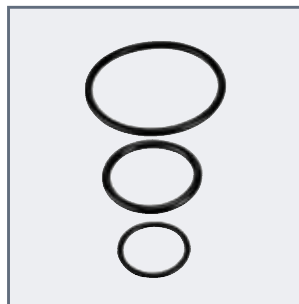


Art.code	d1	d2	Z1	Z2	B	C	PN	Quantity
7.11.049	50	16	14	28	31	42	10	100
7.11.050	50	20	14	31	31	47	10	100
7.11.055	50	25	14	31	31	51	10	100
7.11.059	63	16	15	38	38	42	10	50
7.11.060	63	20	15	41	38	47	10	50
7.11.065	63	25	15	44	38	51	10	50
7.11.066	63	32	15	46	38	57	10	50
7.11.069	75	16	15	46	44	42	10	30
7.11.070	75	20	15	49	44	47	10	30
7.11.075	75	25	15	52	44	51	10	30
7.11.076	75	32	15	53,5	44	57	10	25
7.11.079	90	16	15	57	51	42	10	17
7.11.080	90	20	15	60	51	47	10	17
7.11.085	90	25	15	63	51	51	10	17
7.11.086	90	32	15	63	51	57	10	17

PE Compression

## O-ring (parts)

O-ring  
 O-ring  
 Joint torique  
 O-ring  
 Junta torica



Art.code	D	S	Quantity
7.40.016	16	3.5	50
7.40.020	20	3.5	50
7.40.025	25	3.5	50
7.40.032	32	3.5	50
7.40.040	40	4.0	50
7.40.050	50	5.5	10
7.40.063	63	6.0	10
7.40.075	75	6.0	10
7.40.090	90	8.0	10
7.40.110	110	9.0	10