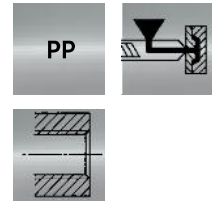
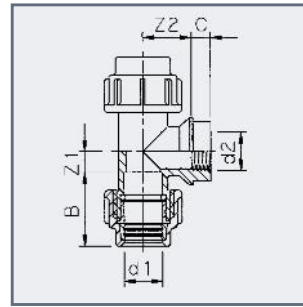


PE Tee

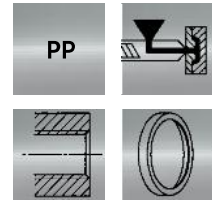
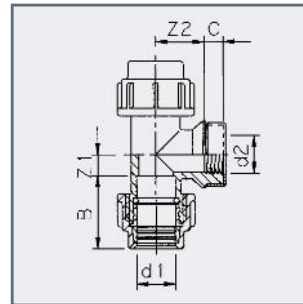
PE T-stuk
PE T-Stück
Te PE
PE ti
Te en PE



Art.code	d1	d2	Z1	Z2	B	C	PN	Quantity
7.14.016	16	3/8" (F)	10	31	42	11	10	100
7.14.017	16	1/2" (F)	10	31	42	13	10	100
7.14.020	20	1/2" (F)	12	31	47	16	10	100
7.14.021	20	3/4" (F)	12	31	47	17	10	100
7.14.024	25	1/2" (F)	14	31	51	16	10	75
7.14.025	25	3/4" (F)	14	36	51	17	10	75
7.14.026	25	1" (F)	14	36	51	21	10	75
7.14.032	32	1" (F)	18	40	57	21	10	50
7.14.033	32	1 1/4" (F)	18	40	57	23	10	50
7.14.040	40	1 1/4" (F)	21	45	61	23	10	40

PE Tee

PE T-stuk
PE T-Stück
Te PE
PE ti
Te en PE



Art.code	d1	d2	Z1	Z2	B	C	PN	Quantity
7.15.016*	16	3/8" (F)	10	31	42	11	16	100
7.15.017*	16	1/2" (F)	10	31	42	13	16	100
7.15.020*	20	1/2" (F)	12	31	47	16	16	100
7.15.021*	20	3/4" (F)	12	31	47	17	16	100
7.15.024*	25	1/2" (F)	14	31	51	16	16	75
7.15.025*	25	3/4" (F)	14	36	51	17	16	75
7.15.026*	25	1" (F)	14	36	51	21	16	75
7.15.032*	32	1" (F)	18	40	57	21	16	50
7.15.033*	32	1 1/4" (F)	18	40	57	23	16	50
7.15.040*	40	1 1/4" (F)	21	45	61	23	16	40
7.15.041*	40	1 1/2" (F)	21	45	61	23	16	40
7.14.050	50	1 1/2" (F)	36	58	92	24	10	10
7.14.051	50	2" (F)	36	59	92	28	10	10
7.14.062	63	1 1/2" (F)	40	64	101	26	10	6
7.14.063	63	2" (F)	38	60	101	28	10	6
7.14.074	75	2" (F)	38	70	124	31	10	4
7.14.075	75	2 1/2" (F)	38	72	124	31	10	4
7.14.076	75	3" (F)	38	76	124	34	10	4

* = kiwa norm PN 16