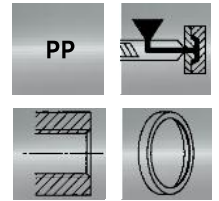
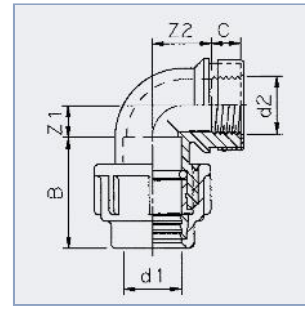


## PE elbow

PE knie  
PE Winkel  
Coude PE  
PE curva  
Codo en PE

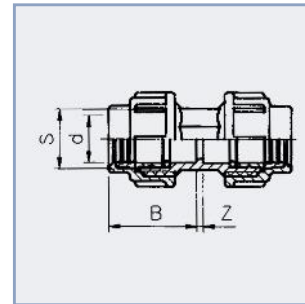


Art.code	d1	d2	Z1	Z2	B	C	PN	Quantity
7.25.016*	16	3/8" (F)	10	31	42	11	16	150
7.25.017*	16	1/2" (F)	10	31	42	13	16	150
7.25.020*	20	1/2" (F)	12	31	47	16	16	150
7.25.021*	20	3/4" (F)	12	31	47	17	16	150
7.25.024*	25	1/2" (F)	14	31	51	16	16	100
7.25.025*	25	3/4" (F)	14	36	51	17	16	100
7.25.026*	25	1" (F)	14	36	51	21	16	100
7.25.032*	32	1" (F)	18	40	57	21	16	50
7.25.033*	32	1 1/4" (F)	18	40	57	23	16	50
7.25.040*	40	1 1/4" (F)	21	45	61	23	16	50
7.25.041*	40	1 1/2" (F)	21	45	61	23	16	50
7.24.049	50	1 1/4" (F)	36	55	98	31	10	18
7.24.050	50	1 1/2" (F)	36	60	98	26	10	18
7.24.051	50	2" (F)	36	60	98	26	10	18
7.24.062	63	1 1/2" (F)	45	80	110	26	10	10
7.24.063	63	2" (F)	45	75	110	31	10	10
7.24.074	75	2" (F)	38	75	124	34	10	6
7.24.075	75	2 1/2" (F)	38	75	124	31	10	6
7.24.076	75	3" (F)	38	78	124	34	10	6

\* = kiwa norm PN 16

## PE coupling

PE koppeling  
PE Kupplung  
Union PE  
PE bocchettone  
Enlace en PE



Art.code	d1	Z	B	S	PN	Quantity
7.30.016*	16	3	42	24	16	175
7.30.020*	20	3	47	27	16	175
7.30.025*	25	3	51	33	16	175
7.30.032*	32	3	57	42	16	100
7.30.040*	40	3	61	51	16	50
7.30.050	50	5	91	-	16	20
7.30.063	63	10	105	-	16	11
7.30.075	75	3	124	-	16	8
7.30.090	90	5	180	-	10	2
7.30.110	110	7	200	-	10	2

\* = kiwa norm PN 16