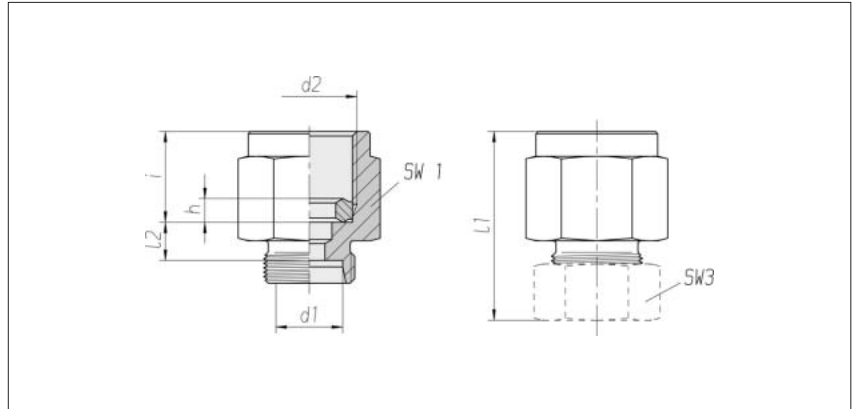


Gauge couplings

Female thread:
Whitworth pipe thread

Standard coupling



Series	Pressure	d2		SW1	SW3	l1*	l2	i	h	kg/100	Order No.	Order No.
Tube OD						approx.				approx.	Single component	**
d1												
L 6	PN 315	G 1/4		19	14	37	7.5	14.5	4.6	3.4	0 1 42 00 20 81***	0 1 42 00 20 XX
L 8	PN 315	G 1/4		19	17	37	7.5	14.5	4.6	3.6	0 1 42 05 20 81	0 1 42 05 20 XX
L 10	PN 315	G 1/4		19	19	38	8.5	14.5	4.6	3.9	0 1 42 10 20 81	0 1 42 10 20 XX
L 12	PN 315	G 1/4		19	22	38	8.5	14.5	4.6	4.0	0 1 42 15 20 81	0 1 42 15 20 XX
S 6	PN 630	G 1/2		27	17	46	11	20	5.2	8.2	0 1 42 50 20 81	0 1 42 50 20 XX
S 8	PN 630	G 1/4		19	19	39	9.5	14.5	4.6	4.2	0 1 42 56 20 81	0 1 42 56 20 XX
S 8	PN 630	G 1/2		27	19	46	11	20	5.2	8.5	0 1 42 55 20 81	0 1 42 55 20 XX
S 10	PN 630	G 1/2		27	22	47	10.5	20	5.2	8.8	0 1 42 60 20 81	0 1 42 60 20 XX
S 12	PN 630	G 1/2		27	24	47	10.5	20	5.2	9.0	0 1 42 65 20 81	0 1 42 65 20 XX

Supplementary to Order No. for complete fitting	Supplementary to Order No.
tube connection	
2S	07
ES-4	09
BV-10	Refer to the front page

* Apply to complete fittings with 2S or ES-4 tube connection components.
For BV-10 Refer to the front page.

** With union nut and 2S, ES-4 or BV-10 tube connection components

*** Sample product code, see: MAV06LROMD