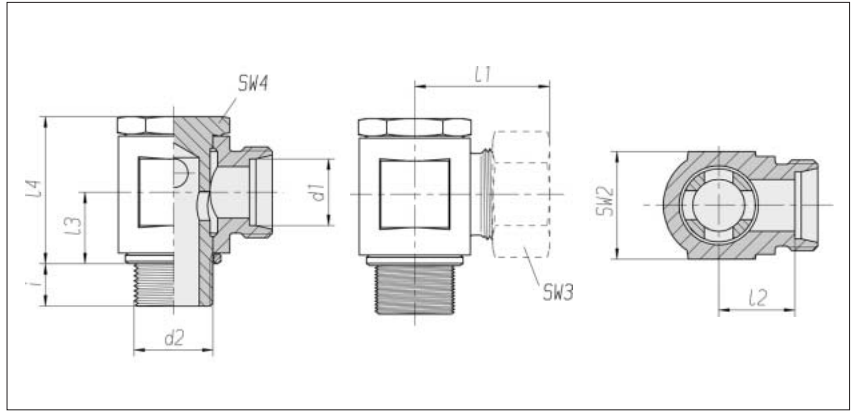


Banjo couplings

Standard design

Thread:
metric fine thread,
straight

With metallic seal-edge ring
for DIN 3852 / ISO 9974
d4 narrow swivel angle ***



Series	Pressure	d2	SW2	SW3	SW4	I1	I2	I3	I4	i	Nm	kg/100	Order No.	Order No.
Tube OD						approx.					-10 %	approx.	Single component	*
d1														
LL 4	PB 100	M 8 x 1	12	10	12	21	10.5	8	18.5	6	10	2.0	1 1 50 00 20 81	-
LL 6	PB 100	M 10 x 1	14	12	14	22	10	9	20.5	6	15	2.7	1 1 50 10 20 81	-
LL 8	PB 100	M 10 x 1	14	14	14	23	11	10	22.5	6	15	3.1	1 1 50 15 20 81	-
L 6	PB 250	M 10 x 1	14	14	14	25	10.5	10	23.5	6	20	3.6	1 1 51 00 20 81**	1 1 51 00 20 07
L 8	PB 250	M 12 x 1.5	17	17	17	28	13	12	27	9	30	5.5	1 1 51 05 20 81	1 1 51 05 20 07
L 10	PB 250	M 14 x 1.5	19	19	19	29	14	13	28	9	45	6.8	1 1 51 10 20 81	1 1 51 10 20 07
L 12	PB 250	M 16 x 1.5	22	22	22	30	15.5	15	33	9	65	10.1	1 1 51 15 20 81	1 1 51 15 20 07
L 12	PB 250	M 18 x 1.5	24	22	24	31	16.5	18.5	38	9	90	13.0	1 1 51 17 20 81	1 1 51 17 20 07
L 15	PB 250	M 18 x 1.5	24	27	24	33	17.5	18.5	38	9	90	13.4	1 1 51 20 20 81	1 1 51 20 20 07
L 18	PB 160	M 22 x 1.5	30	32	27	36.5	20	22	44	11	100	21.1	1 1 51 25 20 81	1 1 51 25 20 07
L 22	PB 160	M 26 x 1.5	36	36	32	41.5	25	24.5	48	13	150	31.3	1 1 51 30 20 81	1 1 51 30 20 07
S 6	PB 250	M 12 x 1.5	17	17	17	29	14	12	27	9	30	6.0	1 1 51 50 20 81	1 1 51 50 20 07
S 8	PB 250	M 14 x 1.5	19	19	19	30	15	13	28	9	45	7.7	1 1 51 55 20 81	1 1 51 55 20 07
S 10	PB 250	M 16 x 1.5	22	22	22	32	16	15	33	9	70	11.2	1 1 51 60 20 81	1 1 51 60 20 07
S 12	PB 250	M 18 x 1.5	24	24	24	33	17	16.5	35	9	90	14.0	1 1 51 65 20 81	1 1 51 65 20 07
S 14	PB 250	M 20 x 1.5	27	27	27	38	20	18.5	39	11	110	18.6	1 1 51 70 20 81	1 1 51 70 20 07
S 16	PB 160	M 22 x 1.5	30	30	27	40	21	20.5	42	11	100	21.9	1 1 51 75 20 81	1 1 51 75 20 07
S 20	PB 160	M 27 x 2	36	36	32	46	24	23.5	48	13	150	35.1	1 1 51 80 20 81	1 1 51 80 20 07

* With union nut and 2S cutting ring

** Sample product code, see:
SWVE06LMOMD

*** With elastomer sealing ring (KDS)
on the thread on request