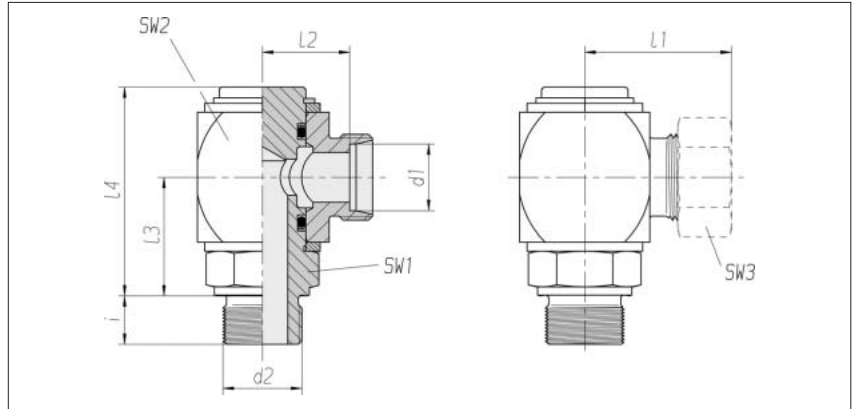


Rotary couplings

Thread:
Whitworth pipe thread,
straight

Sealed with seal edge

Design:
of square bar steel



Series	Pressure	d2		SW1	SW2	SW3	l1	l2	l3	l4	i	Nm	kg/100	Order No.	Order No.
Tube OD							approx.					-10 %	approx.	Single component	*
d1															
L 6	PB 100	G 1/8	A	22	27	14	31	16.5	26.5	47	8	25	18.9	0 1 76 00 10 81**	0 1 76 00 10 07
L 8	PB 100	G 1/4	A	22	27	17	31	16.5	26.5	47	12	50	19.4	0 1 76 05 10 81	0 1 76 05 10 07
L 10	PB 100	G 1/4	A	22	27	19	32	17.5	26.5	47	12	50	18.9	0 1 76 10 10 81	0 1 76 10 10 07
L 12	PB 100	G 3/8	A	22	27	22	31.5	17.5	26.5	47	12	80	18.9	0 1 76 15 10 81	0 1 76 15 10 07
L 15	PB 100	G 1/2	A	27	36	27	38.5	23.5	33.5	58.5	14	170	41.8	0 1 76 20 10 81	0 1 76 20 10 07
L 18	PB 100	G 1/2	A	27	36	32	39	23	33.5	58.5	14	170	40.4	0 1 76 25 10 81	0 1 76 25 10 07
L 22	PB 100	G 3/4	A	32	41	36	43	27	38	65.5	16	240	55.1	0 1 76 30 10 81	0 1 76 30 10 07
L 28	PB 100	G 1	A	41	46	41	46	29.5	42.5	72	18	370	77.3	0 1 76 35 10 81	0 1 76 35 10 07
S 6	PB 400	G 1/4	A	22	27	17	33	18.5	26.5	47	12	60	20.0	0 1 76 50 10 81	0 1 76 50 10 07
S 8	PB 400	G 1/4	A	22	27	19	33	18.5	26.5	47	12	60	20.3	0 1 76 55 10 81	0 1 76 55 10 07
S 10	PB 400	G 3/8	A	22	27	22	34	18	26.5	47	12	110	20.7	0 1 76 60 10 81	0 1 76 60 10 07
S 12	PB 400	G 3/8	A	27	36	24	39	23	33.5	58.5	12	110	42.4	0 1 76 65 10 81	0 1 76 65 10 07
S 14	PB 400	G 1/2	A	27	36	27	42.5	25	33.5	58.5	14	200	43.7	0 1 76 70 10 81	0 1 76 70 10 07
S 16	PB 400	G 1/2	A	27	36	30	42.5	24.5	33.5	58.5	14	200	42.4	0 1 76 75 10 81	0 1 76 75 10 07
S 20	PB 400	G 3/4	A	32	41	36	47.5	26	38	65.5	16	320	57.4	0 1 76 80 10 81	0 1 76 80 10 07
S 25	PB 250	G 1	A	41	46	46	53	29	42.5	72	18	500	98.0	0 1 76 85 10 81	0 1 76 85 10 07

These couplings are intended for slow rotating and swivelling movements with a swivelling angle of up to 360° and temperatures of up to 70 °C

* With union nut and 2S cutting ring

** Sample product code, see: DWWE06LROMD