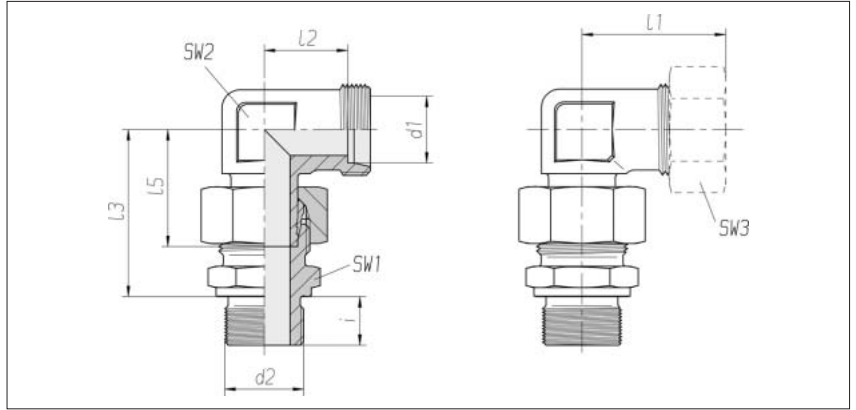


Adjustable stud elbows

Male connector

Thread:
metric fine thread,
straight

Sealed with seal edge



Series	Pressure	d2	SW1	SW2	SW3	l1	l2	l3	l5	i	kg/100 approx.	Order No. Single component	Order No. *
Tube OD d1						approx.							
L 6	PN 315	M 10 x 1	14	12	14	27	12	34.5	26	8	5.3	0 1 58 01 20 07***	0 1 58 00 20 07
L 8	PN 315	M 12 x 1.5	17	12	17	29	14	37.5	27.5	12	5.9	0 1 58 06 20 07	0 1 58 05 20 07
L 10	PN 315	M 14 x 1.5	19	14	19	30	15	40	29	12	7.8	0 1 58 11 20 07	0 1 58 10 20 07
L 12	PN 315	M 16 x 1.5	22	17	22	32	17	42	29.5	12	10.3	0 1 58 16 20 07	0 1 58 15 20 07
L 15	PN 315	M 18 x 1.5	24	19	27	36	21	46	32.5	12	16.6	0 1 58 21 20 07	0 1 58 20 20 07
L 18	PN 315	M 22 x 1.5	27	24	32	40	23.5	50	35.5	14	25.4	0 1 58 26 20 07	0 1 58 25 20 07
L 22	PN 160	M 26 x 1.5	32	27	36	44	27.5	55	38.5	16	25.2	0 1 58 31 20 07	0 1 58 30 20 07
L 28	PN 160	M 33 x 2	41	36	41	47	30.5	59	41.5	18	49.5	0 1 58 36 20 07	0 1 58 35 20 07
L 35	PN 160	M 42 x 2	50	41	50	56	34.5	68.5	51	20	79.4	0 1 58 41 20 07	0 1 58 40 20 07
L 42	PN 160	M 48 x 2	55	50	60	63	40	75	56	22	143.4	0 1 58 46 20 07	0 1 58 45 20 07
S 6	PB 630**	M 12 x 1.5	17	12	17	31	16	40	27	12	7.3	0 1 58 51 20 07	0 1 58 50 20 07
S 8	PB 630**	M 14 x 1.5	19	14	19	32	17	42.5	27.5	12	10.1	0 1 58 56 20 07	0 1 58 55 20 07
S 10	PB 630**	M 16 x 1.5	22	17	22	34	17.5	45	30	12	13.3	0 1 58 61 20 07	0 1 58 60 20 07
S 12	PB 630**	M 18 x 1.5	24	17	24	38	21.5	48	31	12	17.5	0 1 58 66 20 07	0 1 58 65 20 07
S 14	PB 630**	M 20 x 1.5	27	19	27	40	22	54	35	14	23.2	0 1 58 71 20 07	0 1 58 70 20 07
S 16	PB 400	M 22 x 1.5	27	24	30	43	24.5	55	36.5	14	27.8	0 1 58 76 20 07	0 1 58 75 20 07
S 20	PB 400	M 27 x 2	32	27	36	48	26.5	65	44.5	16	42.6	0 1 58 81 20 07	0 1 58 80 20 07
S 25	PB 400	M 33 x 2	41	36	46	54	30	73	50	18	81.6	0 1 58 86 20 07	0 1 58 85 20 07
S 30	PB 250	M 42 x 2	50	41	50	62	35.5	78.5	55	20	112.0	0 1 58 91 20 07	0 1 58 90 20 07
S 38	PB 250	M 48 x 2	55	50	60	72	41	89	63	22	165.5	0 1 58 96 20 07	0 1 58 95 20 07

* With union nut and 2S cutting ring

** Safety factor 2.0

*** Sample product code, see: EWW06LMOMD