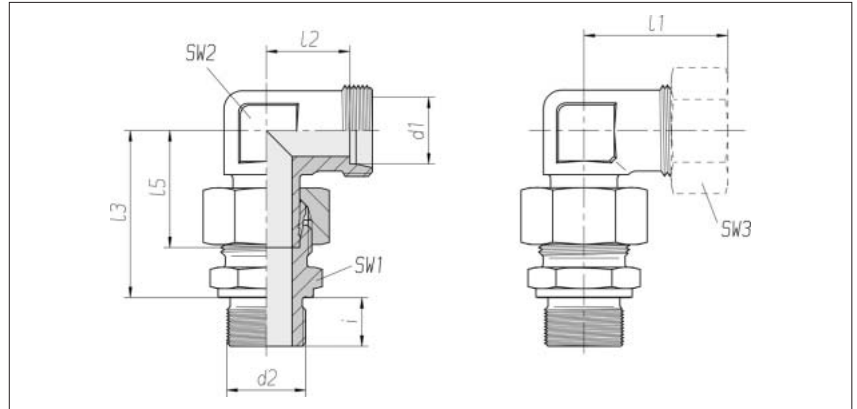


## Adjustable stud elbows

Male connector

Thread:  
Whitworth pipe thread,  
straight

Sealed with seal edge



Series	Pressure	d2		SW1	SW2	SW3	l1 approx.	l2	l3	l5	i	kg/100 approx.	Order No. Single component	Order No. *
Tube OD d1														
L 6	PN 315	G 1/8 A	14	12	14	27	12	34.5	26	8	5.3	0 1 59 01 20 07**	0 1 59 00 20 07	
L 8	PN 315	G 1/4 A	19	12	17	29	14	37.5	27.5	12	6.7	0 1 59 06 20 07	0 1 59 05 20 07	
L 10	PN 315	G 1/4 A	19	14	19	30	15	40	29	12	7.9	0 1 59 11 20 07	0 1 59 10 20 07	
L 12	PN 315	G 3/8 A	22	17	22	32	17	42	29.5	12	11.1	0 1 59 16 20 07	0 1 59 15 20 07	
L 15	PN 315	G 1/2 A	27	19	27	36	21	46.5	32.5	14	18.8	0 1 59 21 20 07	0 1 59 20 20 07	
L 18	PN 315	G 1/2 A	27	24	32	40	23.5	50	35.5	14	24.8	0 1 59 26 20 07	0 1 59 25 20 07	
L 22	PN 160	G 3/4 A	32	27	36	44	27.5	55	38.5	16	34.0	0 1 59 31 20 07	0 1 59 30 20 07	
L 28	PN 160	G 1 A	41	36	41	47	30.5	59	41.5	18	61.7	0 1 59 36 20 07	0 1 59 35 20 07	
L 35	PN 160	G 1 1/4 A	50	41	50	56	34.5	68.5	51	20	83.6	0 1 59 41 20 07	0 1 59 40 20 07	
L 42	PN 160	G 1 1/2 A	55	50	60	63	40	75	56	22	110.5	0 1 59 46 20 07	0 1 59 45 20 07	
S 6	PB 630	G 1/4 A	19	12	17	31	16	40	27	12	7.8	0 1 59 51 20 07	0 1 59 50 20 07	
S 8	PB 630	G 1/4 A	19	14	19	32	17	42.5	27.5	12	9.8	0 1 59 56 20 07	0 1 59 55 20 07	
S 10	PB 630	G 3/8 A	22	17	22	34	17.5	45	30	12	13.4	0 1 59 61 20 07	0 1 59 60 20 07	
S 12	PB 630	G 3/8 A	22	17	24	38	21.5	48	31	12	16.9	0 1 59 66 20 07	0 1 59 65 20 07	
S 14	PB 630	G 1/2 A	27	19	27	40	22	54	35	14	24.2	0 1 59 71 20 07	0 1 59 70 20 07	
S 16	PB 400	G 1/2 A	27	24	30	43	24.5	55	36.5	14	29.2	0 1 59 76 20 07	0 1 59 75 20 07	
S 20	PB 400	G 3/4 A	32	27	36	48	26.5	65	44.5	16	44.7	0 1 59 81 20 07	0 1 59 80 20 07	
S 25	PB 400	G 1 A	41	36	46	54	30	73	50	18	80.9	0 1 59 86 20 07	0 1 59 85 20 07	
S 30	PB 250	G 1 1/4 A	50	41	50	62	35.5	78.5	55	20	118.4	0 1 59 91 20 07	0 1 59 90 20 07	
S 38	PB 250	G 1 1/2 A	55	50	60	72	41	89	63	22	197.3	0 1 59 96 20 07	0 1 59 95 20 07	

\* With union nut and 2S cutting ring

\*\* Sample product code, see:  
EWW06LROMD