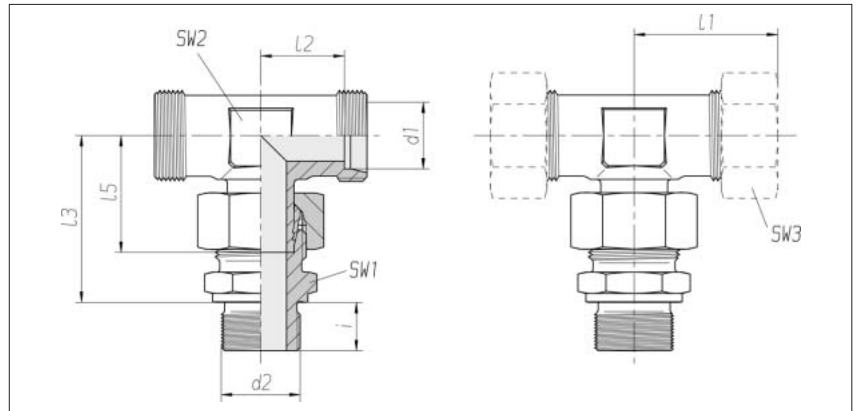


Adjustable stud branch tees

Male connector

Thread:
Whitworth pipe thread,
straight

Sealed with seal edge



| Series | Pressure | d2 | | SW1 | SW2 | SW3 | l1 | l2 | l3 | l5 | i | kg/100 | Order No. | Order No. |
|---------|----------|-----------|----|-----|-----|-----|---------|------|------|----|-------|-------------------|------------------|-----------|
| Tube OD | | | | | | | approx. | | | | | approx. | Single component | * |
| d1 | | | | | | | | | | | | | | |
| L 6 | PN 315 | G 1/8 A | 14 | 12 | 14 | 27 | 12 | 34.5 | 26 | 8 | 5.0 | 0 1 61 01 20 07** | 0 1 61 00 20 07 | |
| L 8 | PN 315 | G 1/4 A | 19 | 12 | 17 | 29 | 14 | 37.5 | 27.5 | 12 | 7.2 | 0 1 61 06 20 07 | 0 1 61 05 20 07 | |
| L 10 | PN 315 | G 1/4 A | 19 | 14 | 19 | 30 | 15 | 40 | 29 | 12 | 9.0 | 0 1 61 11 20 07 | 0 1 61 10 20 07 | |
| L 12 | PN 315 | G 3/8 A | 22 | 17 | 22 | 32 | 17 | 42 | 29.5 | 12 | 11.7 | 0 1 61 16 20 07 | 0 1 61 15 20 07 | |
| L 15 | PN 315 | G 1/2 A | 27 | 19 | 27 | 36 | 21 | 46.5 | 32.5 | 14 | 20.9 | 0 1 61 21 20 07 | 0 1 61 20 20 07 | |
| L 18 | PN 315 | G 1/2 A | 27 | 24 | 32 | 40 | 23.5 | 50 | 35.5 | 14 | 26.1 | 0 1 61 26 20 07 | 0 1 61 25 20 07 | |
| L 22 | PN 160 | G 3/4 A | 32 | 27 | 36 | 44 | 27.5 | 55 | 38.5 | 16 | 37.5 | 0 1 61 31 20 07 | 0 1 61 30 20 07 | |
| L 28 | PN 160 | G 1 A | 41 | 36 | 41 | 47 | 30.5 | 59 | 41.5 | 18 | 54.3 | 0 1 61 36 20 07 | 0 1 61 35 20 07 | |
| L 35 | PN 160 | G 1 1/4 A | 50 | 41 | 50 | 56 | 34.5 | 68.5 | 51 | 20 | 86.4 | 0 1 61 41 20 07 | 0 1 61 40 20 07 | |
| L 42 | PN 160 | G 1 1/2 A | 55 | 50 | 60 | 63 | 40 | 75 | 56 | 22 | 183.8 | 0 1 61 46 20 07 | 0 1 61 45 20 07 | |
| S 6 | PB 630 | G 1/4 A | 19 | 12 | 17 | 31 | 16 | 40 | 27 | 12 | 10.9 | 0 1 61 51 20 07 | 0 1 61 50 20 07 | |
| S 8 | PB 630 | G 1/4 A | 19 | 14 | 19 | 32 | 17 | 42.5 | 27.5 | 12 | 11.5 | 0 1 61 56 20 07 | 0 1 61 55 20 07 | |
| S 10 | PB 630 | G 3/8 A | 22 | 17 | 22 | 34 | 17.5 | 45 | 30 | 12 | 15.5 | 0 1 61 61 20 07 | 0 1 61 60 20 07 | |
| S 12 | PB 630 | G 3/8 A | 22 | 17 | 24 | 38 | 21.5 | 48 | 31 | 12 | 19.0 | 0 1 61 66 20 07 | 0 1 61 65 20 07 | |
| S 14 | PB 630 | G 1/2 A | 27 | 19 | 27 | 40 | 22 | 54 | 35 | 14 | 27.4 | 0 1 61 71 20 07 | 0 1 61 70 20 07 | |
| S 16 | PB 400 | G 1/2 A | 27 | 24 | 30 | 43 | 24.5 | 55 | 36.5 | 14 | 31.4 | 0 1 61 76 20 07 | 0 1 61 75 20 07 | |
| S 20 | PB 400 | G 3/4 A | 32 | 27 | 36 | 48 | 26.5 | 65 | 44.5 | 16 | 48.3 | 0 1 61 81 20 07 | 0 1 61 80 20 07 | |
| S 25 | PB 400 | G 1 A | 41 | 36 | 46 | 54 | 30 | 73 | 50 | 18 | 45.5 | 0 1 61 86 20 07 | 0 1 61 85 20 07 | |
| S 30 | PB 250 | G 1 1/4 A | 50 | 41 | 50 | 62 | 35.5 | 78.5 | 55 | 20 | 127.6 | 0 1 61 91 20 07 | 0 1 61 90 20 07 | |
| S 38 | PB 250 | G 1 1/2 A | 55 | 50 | 60 | 72 | 41 | 89 | 63 | 22 | 188.0 | 0 1 61 96 20 07 | 0 1 61 95 20 07 | |

* With union nut and 2S cutting ring

** Sample product code, see:
EVT06LROMD