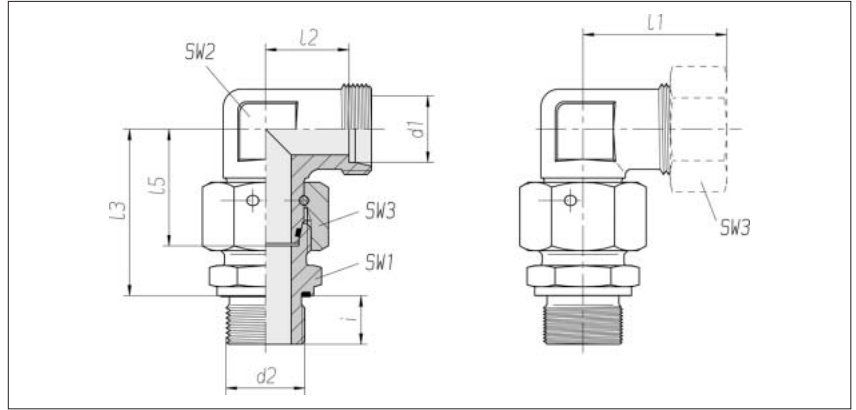


Adjustable stud elbows

With taper and O-ring
Cutting ring connection
at tube end

Thread:
metric fine thread,
straight

Sealed with PEFLEX seal



Series	Pressure	d2	SW1	SW2	SW3	l1*	l2	l3	l5	i	kg/100	Order No.	Order No.
Tube OD						approx.					approx.	Single component	**
d1													
L 6	PN 500	M 10 x 1	14	12	14	27	12	34.5	26	8	5.5	1 1 58 01 20 00***	1 1 58 00 20 XX
L 8	PN 500	M 12 x 1.5	17	14	17	29	14	37.5	27.5	12	8.3	1 1 58 06 20 00	1 1 58 05 20 XX
L 10	PN 500	M 14 x 1.5	19	14	19	30	15	40	29	12	8.1	1 1 58 11 20 00	1 1 58 10 20 XX
L 12	PN 400	M 16 x 1.5	22	19	22	32	17	42	29.5	12	14.8	1 1 58 16 20 00	1 1 58 15 20 XX
L 15	PN 400	M 18 x 1.5	24	19	27	36	21	46	32.5	12	18.3	1 1 58 21 20 00	1 1 58 20 20 XX
L 18	PN 400	M 22 x 1.5	27	24	32	40	23.5	50	35.5	14	25.9	1 1 58 26 20 00	1 1 58 25 20 XX
L 22	PN 250	M 26 x 1.5	32	27	36	44	27.5	55	38.5	16	35.3	1 1 58 31 20 00	1 1 58 30 20 XX
L 28	PN 250	M 33 x 2	41	36	41	47	30.5	59	41.5	18	52.0	1 1 58 36 20 00	1 1 58 35 20 XX
L 35	PN 250	M 42 x 2	50	41	50	56	34.5	68.5	51	20	87.2	1 1 58 41 20 00	1 1 58 40 20 XX
L 42	PN 250	M 48 x 2	55	50	60	63	40	75	56	22	127.6	1 1 58 46 20 00	1 1 58 45 20 XX
S 6	PN 800	M 12 x 1.5	17	14	17	31	16	40	27	12	9.5	1 1 58 51 20 00	1 1 58 50 20 XX
S 8	PN 800	M 14 x 1.5	19	17	19	32	17	42.5	27.5	12	12.6	1 1 58 56 20 00	1 1 58 55 20 XX
S 10	PN 800	M 16 x 1.5	22	19	22	34	17.5	45	30	12	17.5	1 1 58 61 20 00	1 1 58 60 20 XX
S 12	PN 630	M 18 x 1.5	24	17	24	38	21.5	48	31	12	17.8	1 1 58 66 20 00	1 1 58 65 20 XX
S 14	PN 630	M 20 x 1.5	27	19	27	40	22	54	35	14	14.9	1 1 58 71 20 00	1 1 58 70 20 XX
S 16	PN 630	M 22 x 1.5	27	24	30	43	24.5	55	36.5	14	30.0	1 1 58 76 20 00	1 1 58 75 20 XX
S 20	PN 420	M 27 x 2	32	27	36	48	26.5	65	44.5	16	30.7	1 1 58 81 20 00	1 1 58 80 20 XX
S 25	PN 420	M 33 x 2	41	36	46	54	30	73	50	18	82.3	1 1 58 86 20 00	1 1 58 85 20 XX
S 30	PN 420	M 42 x 2	50	41	50	62	35.5	78.5	55	20	78.1	1 1 58 91 20 00	1 1 58 90 20 XX
S 38	PN 420	M 48 x 2	55	50	60	72	41	89	63	22	116.9	1 1 58 96 20 00	1 1 58 95 20 XX

Special pressure stages apply in combination with the 2S cutting ring (refer to Page 48)

Supplementary to Order No. for complete fitting	Supplementary to Order No.
2S	07
ES-4	09
BV-10	Refer to the front page

* Apply to complete fittings with 2S or ES-4 tube connection components.
For BV-10 Refer to the front page.

** With union nut and 2S, ES-4 or BV-10 tube connection components

*** Sample product code, see: EW06LMEDOMD