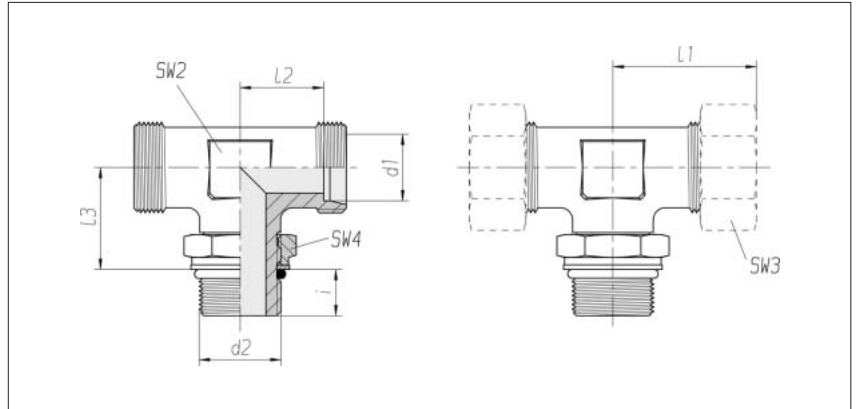


## Adjustable stud branch tees with lock nut

Thread:  
metric fine thread,  
ISO 6149  
straight

Sealed with O-ring



Series	Pressure	d2	SW2	SW3	SW4	l1*	l2	l3	i	Nm	kg/100	Order No.	Order No.
Tube OD						approx.				-10 %	approx.	Single component	**
d1													
L 6	PN 315	M 10 x 1	14	14	14	30	15	20	7	15	4.7	1 1 47 00 20 81***	1 1 47 00 20 XX
L 8	PN 315	M 12 x 1.5	14	17	17	30	15	22	10	25	5.5	1 1 47 05 20 81	1 1 47 05 20 XX
L 10	PN 315	M 14 x 1.5	17	19	19	32.5	17.5	25	10	35	7.3	1 1 47 10 20 81	1 1 47 10 20 XX
L 12	PN 315	M 16 x 1.5	19	22	22	35	20	26	10	40	10.8	1 1 47 15 20 81	1 1 47 15 20 XX
L 15	PN 315	M 18 x 1.5	22	27	24	36	21	30	11	45	15.4	1 1 47 20 20 81	1 1 47 20 20 XX
L 18	PN 315	M 22 x 1.5	27	32	27	42	25.5	33	12	60	81.3	1 1 47 25 20 81	1 1 47 25 20 XX
L 22	PN 160	M 27 x 2	27	36	32	44	27.5	35	14	100	****	1 1 47 30 20 81	1 1 47 30 20 XX
L 28	PN 160	M 33 x 2	36	41	41	47	30.5	38	14	160	****	1 1 47 35 20 81	1 1 47 35 20 XX
L 35	PN 160	M 42 x 2	41	50	50	58	34.5	48	14	210	****	1 1 47 40 20 81	1 1 47 40 20 XX
L 42	PN 160	M 48 x 2	50	60	55	63	40	49	16	260	****	1 1 47 45 20 81	1 1 47 45 20 XX
S 6	PN 400	M 12 x 1.5	17	17	17	30	15	22	10	35	7.3	1 1 47 50 20 81	1 1 47 50 20 XX
S 8	PN 400	M 14 x 1.5	19	19	19	35	20	26	10	45	12.4	1 1 47 55 20 81	1 1 47 55 20 XX
S 10	PN 400	M 16 x 1.5	19	22	22	36.5	20	27	11	55	13.5	1 1 47 60 20 81	1 1 47 60 20 XX
S 12	PN 400	M 18 x 1.5	22	24	24	38	21.5	31	12	70	18.7	1 1 47 65 20 81	1 1 47 65 20 XX
S 16	PN 400	M 22 x 1.5	22	30	27	43	24.5	35	14	100	****	1 1 47 75 20 81	1 1 47 75 20 XX
S 20	PN 400	M 27 x 2	27	36	32	48	26.5	39	16	170	****	1 1 47 80 20 81	1 1 47 80 20 XX
S 25	PN 315	M 33 x 2	36	46	41	54	30	44	16	310	****	1 1 47 85 20 81	1 1 47 85 20 XX
S 30	PN 250	M 42 x 2	41	50	50	62	35.5	51	17	330	****	1 1 47 90 20 81	1 1 47 90 20 XX
S 38	PN 200	M 48 x 2	50	60	55	72	41	54	19	420	****	1 1 47 95 20 81	1 1 47 95 20 XX

Supplementary to Order No. for complete fitting tube connection	Supplementary to Order No.
2S	07
ES-4	09
BV-10	Refer to the front page

\* Apply to complete fittings with 2S or ES-4 tube connection components.  
For BV-10 Refer to the front page.

\*\* With union nut and 2S, ES-4 or BV-10 tube connection components

\*\*\* Sample product code, see: TEE06LMOROMD

\*\*\*\* On request