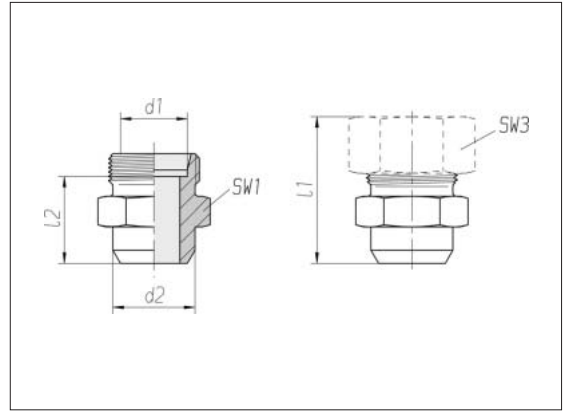


## Racores soldables rectos



| Serie<br>Tubo-ØEx<br>d1 | Presión | d2 | SW1 | SW3 | l1*<br>aprox. | l2   | kg/100<br>aprox. | Referencia<br>Pieza individual | Referencia<br>** |
|-------------------------|---------|----|-----|-----|---------------|------|------------------|--------------------------------|------------------|
| L 6                     | PN 315  | 10 | 12  | 14  | 29            | 14   | 1,0              | 0 7 39 00 00 00***             | 0 1 39 00 00 XX  |
| L 8                     | PN 315  | 12 | 14  | 17  | 31            | 16   | 1,5              | 0 7 39 05 00 00                | 0 1 39 05 00 XX  |
| L 10                    | PN 315  | 14 | 17  | 19  | 33            | 18   | 2,1              | 0 7 39 10 00 00                | 0 1 39 10 00 XX  |
| L 12                    | PN 315  | 16 | 19  | 22  | 33            | 18   | 2,6              | 0 7 39 15 00 00                | 0 1 39 15 00 XX  |
| L 15                    | PN 315  | 19 | 22  | 27  | 37            | 22   | 4,3              | 0 7 39 20 00 00                | 0 1 39 20 00 XX  |
| L 18                    | PN 315  | 22 | 27  | 32  | 40            | 23,5 | 6,6              | 0 7 39 25 00 00                | 0 1 39 25 00 XX  |
| L 22                    | PN 160  | 27 | 32  | 36  | 45            | 28,5 | 9,7              | 0 7 39 30 00 00                | 0 1 39 30 00 XX  |
| L 28                    | PN 160  | 32 | 41  | 41  | 47            | 30,5 | 15,9             | 0 7 39 35 00 00                | 0 1 39 35 00 XX  |
| L 35                    | PN 160  | 40 | 46  | 50  | 54            | 32,5 | 22,8             | 0 7 39 40 00 00                | 0 1 39 40 00 XX  |
| L 42                    | PN 160  | 46 | 55  | 60  | 58            | 35   | 32,8             | 0 7 39 45 00 00                | 0 1 39 45 00 XX  |
| S 6                     | PN 630  | 11 | 14  | 17  | 34            | 19   | 2,1              | 0 7 39 50 00 00                | 0 1 39 50 00 XX  |
| S 8                     | PN 630  | 13 | 17  | 19  | 36            | 21   | 3,0              | 0 7 39 55 00 00                | 0 1 39 55 00 XX  |
| S 10                    | PN 630  | 15 | 19  | 22  | 39            | 22,5 | 4,0              | 0 7 39 60 00 00                | 0 1 39 60 00 XX  |
| S 12                    | PN 630  | 17 | 22  | 24  | 41            | 24,5 | 5,5              | 0 7 39 65 00 00                | 0 1 39 65 00 XX  |
| S 14                    | PN 630  | 19 | 24  | 27  | 45            | 27   | 7,0              | 0 7 39 70 00 00                | 0 1 39 70 00 XX  |
| S 16                    | PN 400  | 21 | 27  | 30  | 45            | 26,5 | 8,3              | 0 7 39 75 00 00                | 0 1 39 75 00 XX  |
| S 20                    | PN 400  | 26 | 32  | 36  | 51            | 29,5 | 12,9             | 0 7 39 80 00 00                | 0 1 39 80 00 XX  |
| S 25                    | PN 400  | 31 | 41  | 46  | 56            | 32   | 22,2             | 0 7 39 85 00 00                | 0 1 39 85 00 XX  |
| S 30                    | PN 400  | 36 | 46  | 50  | 62            | 35,5 | 29,5             | 0 7 39 90 00 00                | 0 1 39 90 00 XX  |
| S 38                    | PN 315  | 44 | 55  | 60  | 69            | 38   | 45,5             | 0 7 39 95 00 00                | 0 1 39 95 00 XX  |

| Complemento del n° de pedido para racores completos |                              |
|---|------------------------------|
| Junta de tubo                                       | Complemento del n° de pedido |
| 2S  | 07                           |
| ES-4  | 09                           |
| BV-10   | Ver contraportada            |

\* es válido para racores completos con piezas de junta de tubo 2S o ES-4.  
BV-10 ver contraportada.

\*\* con tuerca para racor y piezas de junta de tubo 2S, ES-4 o BV-10

\*\*\* Ejemplo Ref. Comp.:  
AS06LX  
ISO 8434-1-WDS-L6-St