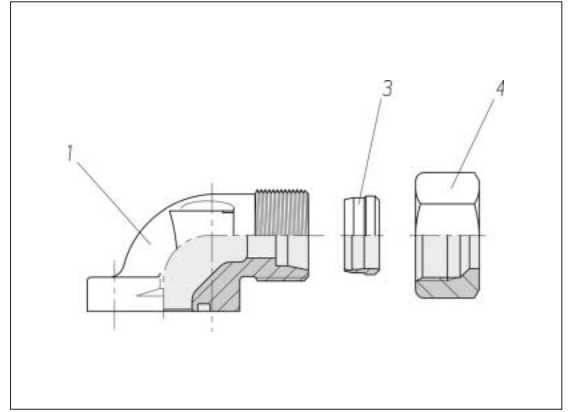


Elbow flange couplings Component parts

With cutting-ring and square flange connection



Series Tube OD	PB	Hole circle dia.	kg/100 approx.	Order No. Part 1	Order No. Part 3	Order No. Part 4
L 10	315	35	14.2	0 7 95 42 20 00*	0 0 10 10 20 00	0 0 04 10 21 00
L 12	315	35	15.7	0 7 95 62 20 00	0 0 10 15 20 00	0 0 04 15 21 00
L 15	250	35	15.0	0 7 95 63 20 00	0 0 10 20 20 00	0 0 04 20 21 00
L 15	100	40	20.1	0 7 95 64 20 00	0 0 10 20 20 00	0 0 04 20 21 00
L 18	100	35	17.9	0 7 95 45 20 00	0 0 10 25 20 00	0 0 04 25 21 00
L 18	100	40	16.9	0 7 95 43 20 00	0 0 10 25 20 00	0 0 04 25 21 00
L 22	100	40	17.7	0 7 95 44 20 00	0 0 10 30 20 00	0 0 04 30 21 00
L 28	100	40	26.0	0 7 95 15 20 00	0 0 10 35 20 00	0 0 04 35 21 00
L 35	100	40	32.2	0 7 95 27 20 00	0 0 10 40 20 00	0 0 04 40 21 00
L 35	100	55	46.6	0 7 95 17 20 00	0 0 10 40 20 00	0 0 04 40 21 00
S 12	315	35	27.1	0 7 95 88 20 00	0 0 10 15 20 00	0 0 04 65 21 00
S 16	315	35	17.3	0 7 95 25 20 00	0 0 10 75 20 00	0 0 04 75 21 00
S 20	315	35	22.3	0 7 95 11 20 00	0 0 10 80 20 00	0 0 04 80 21 00
S 20	250	55	44.9	0 7 95 18 20 00	0 0 10 80 20 00	0 0 04 80 21 00
S 20	250	40	20.2	0 7 95 13 20 00	0 0 10 80 20 00	0 0 04 80 21 00
S 25	250	55	49.1	0 7 95 89 20 00	0 0 10 85 20 00	0 0 04 85 21 00
S 30	250	55	49.8	0 7 95 24 20 00	0 0 10 90 20 00	0 0 04 90 21 00

* Sample product code, see:
BFW10L/LK35OMD