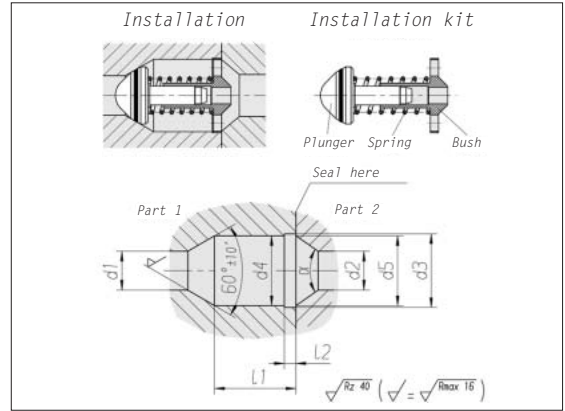


# Inner valve-part installation kit

Opening pressure 1 bar  
(standard design)



Series	d1	d2	d3 + 0,1	d4 + 0,1	d5 ± 0,1	l1 ± 0,1	l2 + 0,2	α	Order No.
L 6	4	4	9.6	8.6	8.6	16.5	2.5	70°	0 6 69 03 20 00*
L 8	6	6	11.5	10.5	10.5	16.0	2.5	70°	0 6 69 04 20 00
L 10	8	8	15.5	14.5	14.5	21.8	2.5	70°	0 6 69 05 20 00
L 12	10	10	19.0	18.0	18.0	21.0	3	70°	0 6 69 06 20 00
L 15	12	12	21.0	20.0	20.0	23.0	3	70°	0 6 69 07 20 00
L 18	15	15	26.0	25.0	25.0	24.5	3.5	70°	0 6 69 08 20 00
L 22	19	19	32.0	31.0	30.6	29.2	4	80°	0 6 69 09 20 00
L 28	24	24	40.0	39.0	38.5	34.5	4.5	90°	0 6 69 10 20 00
L 35	30	30	50.0	49.0	48.6	32.2	4.5	70°	0 6 69 11 20 00
L 42	36	36	56.0	55.0	54.2	31.7	5.5	70°	0 6 69 12 20 00
S 6	4	4	9.6	8.6	8.6	16.5	2.5	70°	0 6 69 03 20 00
S 8	5	5	11.0	10.0	10.0	15.0	2.5	70°	0 6 69 13 20 00
S 10	7	7	13.0	12.0	12.0	22.0	2.5	70°	0 6 69 14 20 00
S 12	8	8	15.5	14.5	14.5	21.8	2.5	70°	0 6 69 05 20 00
S 14	10	10	19.0	18.0	18.0	21.0	3	70°	0 6 69 06 20 00
S 16	12	12	22.5	21.5	21.5	24.0	3	70°	0 6 69 15 20 00
S 20	16	16	28.0	27.0	27.0	28.0	3.5	70°	0 6 69 16 20 00
S 25	20	20	35.0	34.0	33.6	28.7	4	70°	0 6 69 17 20 00
S 30	25	25	41.0	40.0	39.6	32.3	4.5	70°	0 6 69 18 20 00
S 38	32	32	51.0	50.0	49.2	34.7	4.5	70°	0 6 69 19 20 00

\* Sample product code, see:  
ITL06L