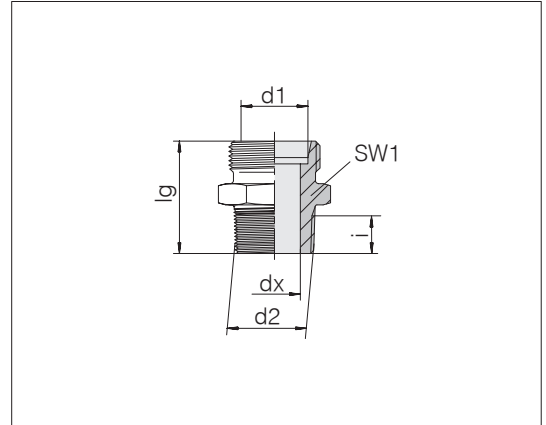


## Male stud connectors

Male thread: BSPT thread, tapered  
 Threaded stud: DIN 3852-2 Form C  
 Sealing type: Tapered thread  
 Sealing material: e.g. PTFE sealing tape

Tube coupling: 24° in acc. with ISO 8434-1



Series Tube OD d1	d2	Pressure	dx	lg	SW1	i	kg/100 ca.	Order-No.	Designation	
LL 4	R 1/8	PN 100	3	20	11	6.2	0.8	0703002000	24-SDS-LL4-R1/8T	1)
LL 5	R 1/8	PN 100	3.5	20	11	6.2	0.9	0703052000	24-SDS-LL5-R1/8T	1)
LL 6	R 1/8	PN 100	4.5	20	11	6.2	0.8	0703102000	24-SDS-LL6-R1/8T	1)
LL 6	R 1/4	PN 100	4.5	25	14	9.3	2.0	0703112000	24-SDS-LL6-R1/4T	
LL 8	R 1/8	PN 100	6	22	12	6.2	0.9	0703152000	24-SDS-LL8-R1/8T	1)
LL 8	R 1/4	PN 100	6	26	14	9.3	1.7	0703172000	24-SDS-LL8-R1/4T	
L 6	R 1/8	PN 315	4	22	14	6.2	1.2	0704002000	24-SDS-L6-R1/8T	1)
L 6	R 1/4	PN 315	4	26	14	9.3	1.9	0704022000	24-SDS-L6-R1/4T	
L 6	R 3/8	PN 315	4	28	19	9.3	3.6	0704032000	24-SDS-L6-R3/8T	
L 8	R 1/8	PN 315	4	23	14	6.2	1.5	0704062000	24-SDS-L8-R1/8T	
L 8	R 1/4	PN 315	6	27	17	9.3	2.2	0704052000	24-SDS-L8-R1/4T	1)
L 8	R 3/8	PN 315	6	28	19	9.3	3.4	0704072000	24-SDS-L8-R3/8T	
L 8	R 1/2	PN 315	6	30	24	10.4	5.9	0704082000	24-SDS-L8-R1/2T	
L 10	R 1/4	PN 315	7	28	17	9.3	2.3	0704102000	24-SDS-L10-R1/4T	1)
L 10	R 3/8	PN 315	8	28	19	9.3	3.1	0704122000	24-SDS-L10-R3/8T	
L 10	R 1/2	PN 315	8	31	24	10.4	5.6	0704132000	24-SDS-L10-R1/2T	
L 12	R 1/4	PN 315	7	29	19	9.3	2.8	0704162000	24-SDS-L12-R1/4T	
L 12	R 3/8	PN 315	9	29	19	9.3	3.3	0704152000	24-SDS-L12-R3/8T	1)
L 12	R 1/2	PN 315	9	31	24	10.4	5.5	0704172000	24-SDS-L12-R1/2T	
L 12	R 3/4	PN 315	9	34	30	12.4	8.2	0704182000	24-SDS-L12-R3/4T	
L 15	R 1/4	PN 315	7	30	24	9.3	4.4	0704232000	24-SDS-L15-R1/4T	
L 15	R 3/8	PN 315	11	30	24	9.3	4.4	0704212000	24-SDS-L15-R3/8T	
L 15	R 1/2	PN 315	11	32	24	10.4	5.8	0704202000	24-SDS-L15-R1/2T	1)
L 18	R 1/2	PN 315	14	33	27	10.4	6.4	0704252000	24-SDS-L18-R1/2T	1)
L 18	R 3/4	PN 315	14	35	30	12.4	10.9	0704272000	24-SDS-L18-R3/4T	
L 22	R 1/2	PB 160	14	35	32	10.4	8.1	0704312000	24-SDS-L22-R1/2T	
L 22	R 3/4	PB 160	18	37	32	12.4	9.6	0704302000	24-SDS-L22-R3/4T	1)
L 28	R 3/4	PB 160	18	38	41	12.4	13.9	0704362000	24-SDS-L28-R3/4T	
L 28	R 1	PB 160	23	40	41	13.4	15.6	0704352000	24-SDS-L28-R1T	1)

1) Standard size

Threaded stud in acc. with DIN 3852-2  
 Form C are approved for use  
 for gas supply in accordance with  
 DIN 3387-1.

Example for comp.:  
 GE06LRkegX  
 DIN 2353-BL6-St

Continued on following page

