

## Male stud run tees

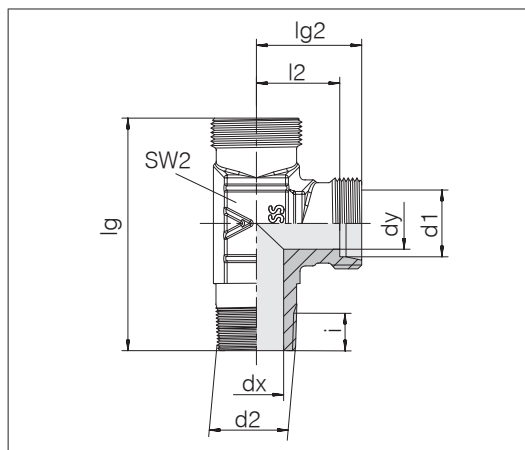
Male thread: Metric fine thread, tapered

Threaded stud: DIN 3852-1 Form C

Sealing type: Tapered thread

Sealing material: e.g. PTFE sealing tape

Tube coupling: 24° in acc. with ISO 8434-1



Series	d2	Pressure	dx	dy	lg	lg2	l2	SW2	i	kg/100 ca.	Order-No.	Designation	
LL	4	M 8 x 1 keg	PN 100	3.5	3	32	15	11	9	6	1.2	0721002000	24-SDL-LL4-M8T
LL	6	M 10 x 1 keg	PN 100	4.5	4.5	32	15	9.5	9	6	1.2	0721102000	24-SDL-LL6-M10T
LL	8	M 10 x 1 keg	PN 100	6	6	37	17	11.5	12	6	2.8	0721152000	24-SDL-LL8-M10T-P
L	6	M 10 x 1 keg	PN 315	4	4	39	19	12	6	3.8	0722002000	24-SDL-L6-M10T-P	
L	8	M 12 x 1.5 keg	PN 315	6	6	47	21	14	14	9	5.4	0722052000	24-SDL-L8-M12T-P
L	10	M 14 x 1.5 keg	PN 315	7	8	49	22	15	17	12	7.2	0722102000	24-SDL-L10-M14T-P
L	12	M 16 x 1.5 keg	PN 315	9	10	52	24	17	19	9	10.1	0722152000	24-SDL-L12-M16T-P
L	15	M 18 x 1.5 keg	PN 315	11	12	60	28	21	19	9	10.4	0722202000	24-SDL-L15-M18T
L	18	M 22 x 1.5 keg	PN 315	14	15	67	31	23.5	24	11	16.5	0722252000	24-SDL-L18-M22T
S	6	M 12 x 1.5 keg	PB 630	4	4	49	23	16	14	9	7.0	0722502000	24-SDL-S6-M12T-P
S	8	M 14 x 1.5 keg	PB 630	5	5	51	24	17	17	9	9.3	0722552000	24-SDL-S8-M14T-P
S	10	M 16 x 1.5 keg	PB 630	7	7	53	25	17.5	19	9	11.8	0722602000	24-SDL-S10-M16T-P
S	12	M 18 x 1.5 keg	PB 630	8	8	57	29	21.5	22	9	16.8	0722652000	24-SDL-S12-M18T-P
S	14	M 20 x 1.5 keg	PB 630	10	10	62	30	22	19	11	13.2	0722702000	24-SDL-S14-M20T
S	16	M 22 x 1.5 keg	PB 400	12	12	65	33	24.5	24	11	16.5	0722752000	24-SDL-S16-M22T

Operating pressure PB 630 only applies if holes with female conical threads are available.

Threaded stud in acc. with DIN 3852-1 Form C are approved for use for gas supply in accordance with DIN 3387-1.

Example for comp. : LE06LMX DIN 2353-AAL6-St

