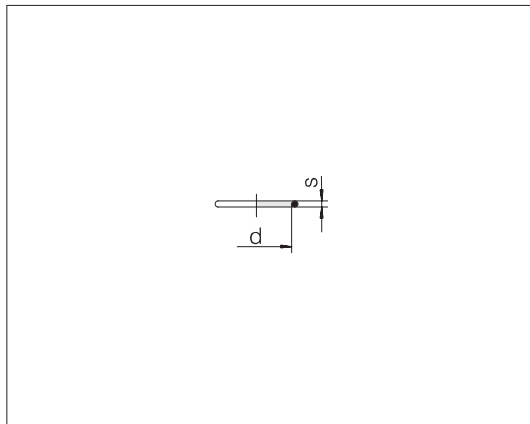


Sealing rings for banjo couplings

O-ring for hollow screws on eccentric
banjo couplings

standard O-ring material is NBR



d2	O-ring d x s	Order-No.	Designation
M 10 x 1	8 x 1.5	0900049990	GP-OR-8x1,5-NBR90
M 12 x 1.5	10.5 x 1.5	0907529990	GP-OR-10,5x1,5-NBR90
M 14 x 1.5	12.5 x 1.5	0907649990	GP-OR-12,5x1,5-NBR90
M 16 x 1.5	14 x 1.5	0906029990	GP-OR-14x1,5-NBR90
M 18 x 1.5	16 x 1.5	0906629990	GP-OR-16x1,5-NBR90
M 22 x 1.5	20 x 1.5	0907659990	GP-OR-20x1,5-NBR90
M 26 x 1.5	23 x 2	0900909990	GP-OR-23x2-NBR90
M 27 x 2	24 x 2	0907539990	GP-OR-24x2-NBR90
M 33 x 2	29 x 2.5	0906639990	GP-OR-29x2,5-NBR90
M 42 x 2	38 x 2.5	0900949990	GP-OR-38x2,5-NBR90
M 48 x 2	43 x 3	0900789990	GP-OR-43x3-NBR90
G 1/8 A	8 x 1.5	0900049990	GP-OR-8x1,5-NBR90
G 1/4 A	12.5 x 1.5	0907649990	GP-OR-12,5x1,5-NBR90
G 3/8 A	15 x 1.5	0900889990	GP-OR-15x1,5-NBR90
G 1/2 A	19 x 1.5	0900899990	GP-OR-19x1,5-NBR90
G 3/4 A	24 x 2	0907539990	GP-OR-24x2-NBR90
G 1 A	29 x 2.5	0906639990	GP-OR-29x2,5-NBR90
G 1 1/4 A	38 x 2.5	0900949990	GP-OR-38x2,5-NBR90
G 1 1/2 A	43 x 3	0900789990	GP-OR-43x3-NBR90