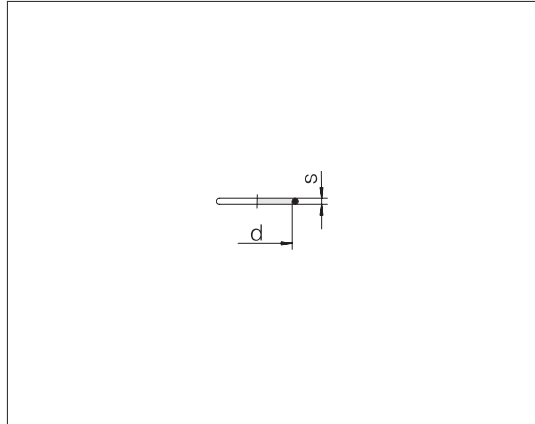


## Sealing rings for conical seals (DKO), flared cone and welded cone couplings

Standard material for O-rings for DKO couplings is FPM/FKM

Alternative material for O-rings for flared cone and welded cone couplings is FPM/FKM



Series Tube OD	d x s	Order-No.	Designation
L 6	4 x 1.5	0900009700	GP-OR-4x1,5-FKM80
L 8	6 x 1.5	0900029700	GP-OR-6x1,5-FKM80
L 10	7,5 x 1,5	0900419700	GP-OR-7,5x1,5-FKM80
L 12	9 x 1.5	0900429700	GP-OR-9x1,5-FKM80
L 15	12 x 2	0900449700	GP-OR-12x2-FKM80
L 18	15 x 2	0900389700	GP-OR-15x2-FKM80
L 22	20 x 2	0906199700	GP-OR-20x2-FKM80
L 28	26 x 2	0906589700	GP-OR-26x2-FKM80
L 35	32 x 2,5	0900929700	GP-OR-32x2,5-FKM80
L 42	38 x 2,5	0900949700	GP-OR-38x2,5-FKM80
S 6	4 x 1.5	0900009700	GP-OR-4x1,5-FKM80
S 8	6 x 1.5	0900029700	GP-OR-6x1,5-FKM80
S 10	7,5 x 1,5	0900419700	GP-OR-7,5x1,5-FKM80
S 12	9 x 1.5	0900429700	GP-OR-9x1,5-FKM80
S 14	10 x 2	0900439700	GP-OR-10x2-FKM80
S 16	12 x 2	0900449700	GP-OR-12x2-FKM80
S 20	16,3 x 2,4	0900459700	GP-OR-16,3x2,4-FKM70
S 25	20,3 x 2,4	0900469700	GP-OR-20,3x2,4-FKM80
S 30	25,3 x 2,4	0900479700	GP-OR-25,3x2,4-FKM80
S 38	33,3 x 2,4	0900489700	GP-OR-33,3x2,4-FKM80