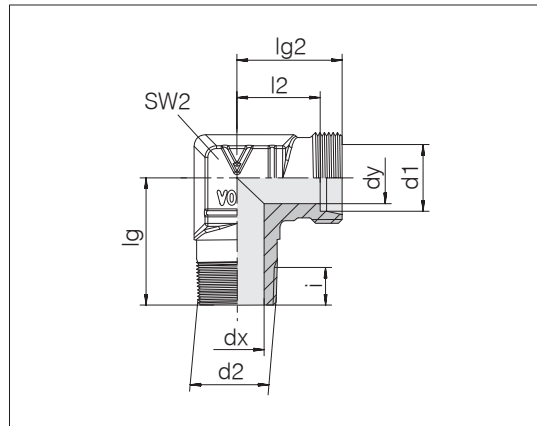


Male stud elbows

Male thread: NPT thread, tapered
 Threaded stud: ASME B1.20.1
 Sealing type: Tapered thread
 Sealing material: e.g. PTFE sealing tape

Tube coupling: 24° in acc. with ISO 8434-1



3

Series	d2	Pressure	dx	dy	lg	lg2	l2	SW2	i	kg/100 ca.	Order-No.	Designation	
LL	4	1/8 NPT	PN 100	3	3	17	15	11	11	6.7	1.8	0717002000	24-SDE-LL4-N1/8T-P ¹⁾
LL	6	1/8 NPT	PN 100	4.5	4.5	17	15	9.5	11	6.7	1.7	0717102000	24-SDE-LL6-N1/8T-P ¹⁾
LL	8	1/8 NPT	PN 100	6	6	20	17	11.5	12	6.7	2.4	0717152000	24-SDE-LL8-N1/8T-P ¹⁾
L	6	1/8 NPT	PN 315	4	4	20	19	12	12	6.7	3.0	0718002000	24-SDE-L6-N1/8T-P ¹⁾
L	6	1/4 NPT	PN 315	4	4	26	21	14	14	10.2	4.9	0718022000	24-SDE-L6-N1/4T-P ¹⁾
L	8	1/4 NPT	PN 315	6	6	26	21	14	14	10.2	4.7	0718052000	24-SDE-L8-N1/4T-P ¹⁾
L	10	1/4 NPT	PN 315	7	7	27	22	15	17	10.2	6.2	0718102000	24-SDE-L10-N1/4T-P ¹⁾
L	10	3/8 NPT	PN 315	9	8	28	24	17	19	10.4	9.1	0718122000	24-SDE-L10-N3/8T-P ¹⁾
L	12	1/4 NPT	PN 315	7	9	28	24	17	19	10.2	8.6	0718162000	24-SDE-L12-N1/4T-P ¹⁾
L	12	3/8 NPT	PN 315	9	9	28	24	17	19	10.4	9.0	0718152000	24-SDE-L12-N3/8T-P ¹⁾
L	12	1/2 NPT	PN 315	12	9	33	28	21	24	13.6	12.3	0718172000	24-SDE-L12-N1/2T ¹⁾
L	15	1/2 NPT	PN 315	11	11	36	31	24	24	13.6	14.2	0718202000	24-SDE-L15-N1/2T ¹⁾
L	18	1/2 NPT	PN 315	14	14	37	31	23.5	24	13.6	12.9	0718252000	24-SDE-L18-N1/2T ¹⁾
L	22	3/4 NPT	PN 160	18	19	42	35	27.5	27	13.9	17.4	0718302000	24-SDE-L22-N3/4T ¹⁾
L	28	1 NPT	PN 160	23	24	48	38	30.5	36	20.6	28.5	0718352000	24-SDE-L28-N1T ¹⁾
L	35	1 1/4 NPT	PN 160	30	30	54	45	34.5	41	21.2	47.7	0718402000	24-SDE-L35-N11/4T ¹⁾
L	42	1 1/2 NPT	PN 160	36	36	61	51	40	50	18.4	72.3	0718452000	24-SDE-L42-N11/2T ¹⁾
S	6	1/4 NPT	PN 630	4	4	26	23	16	14	10.2	5.6	0718502000	24-SDE-S6-N1/4T-P ¹⁾
S	8	1/4 NPT	PN 630	5	5	27	24	17	17	10.2	7.3	0718552000	24-SDE-S8-N1/4T-P ¹⁾
S	10	3/8 NPT	PN 630	7	7	28	25	17.5	19	10.4	10.4	0718602000	24-SDE-S10-N3/8T-P ¹⁾
S	12	3/8 NPT	PN 630	8	8	29	29	21.5	22	10.4	12.6	0718652000	24-SDE-S12-N3/8T-P ¹⁾
S	14	1/2 NPT	PN 630	10	10	33	33	25	24	13.6	14.9	0718702000	24-SDE-S14-N1/2T ¹⁾
S	16	1/2 NPT	PN 400	12	12	36	33	24.5	24	16.2	14.6	0718752000	24-SDE-S16-N1/2T ¹⁾
S	20	3/4 NPT	PN 400	16	16	42	37	26.5	27	13.9	21.5	0718802000	24-SDE-S20-N3/4T ¹⁾
S	25	1 NPT	PN 400	20	20	49	42	30	36	20.6	37.6	0718852000	24-SDE-S25-N1T ¹⁾
S	30	1 1/4 NPT	PN 400	25	25	54	49	35.5	41	18	64.8	0718902000	24-SDE-S30-N11/4T ¹⁾
S	38	1 1/2 NPT	PN 315	32	32	61	57	41	50	18.4	97.1	0718952000	24-SDE-S38-N11/2T ¹⁾

¹⁾ Standard size

Threaded stud NPT in acc. with ASME are approved for use for gas supply in acc. with DIN 3387-1.

Example for comp. : WE06L1/8NPTX

